



WE BELIEVE
IN UNCHAINED
RELIABILITY



CONTENTS

- 04** - Welcome to our ideology
- 12** - Which type of boiler is ideal for your home?
- 16** - What's the ideal size?
- 18** - We believe in energy efficiency
- 20** - Vogue Max
- 26** - Logic Max
- 32** - Vogue
- 33** - Logic+
- 34** - Technical specifications
- 40** - We believe in quality service every day
- 42** - What do I need?

welcome

WELCOME TO OUR IDEOLOGY



Market leading
warranties



Year round
customer support



British made
since 1906

At Ideal Boilers we believe in complete comfort and the last thing you should worry about is your boiler. That's why we rigorously test each and every one of our products with dozens of safety and reliability checks before they leave our Yorkshire based factory. This is why we confidently offer industry leading warranties on our boilers so we can go the extra mile for our customers.

We believe in delivering customer support that makes you smile. Should you need us, our UK based contact centre is open 364 days a year. If your query isn't resolved over the phone, we aim to get an engineer to your property the same day or the next.




**WE BELIEVE OUR
EXPERTISE HAS STOOD
THE TEST OF TIME,
IDEAL BOILERS HAS BEEN
MANUFACTURING BOILERS
FOR OVER 100 YEARS**

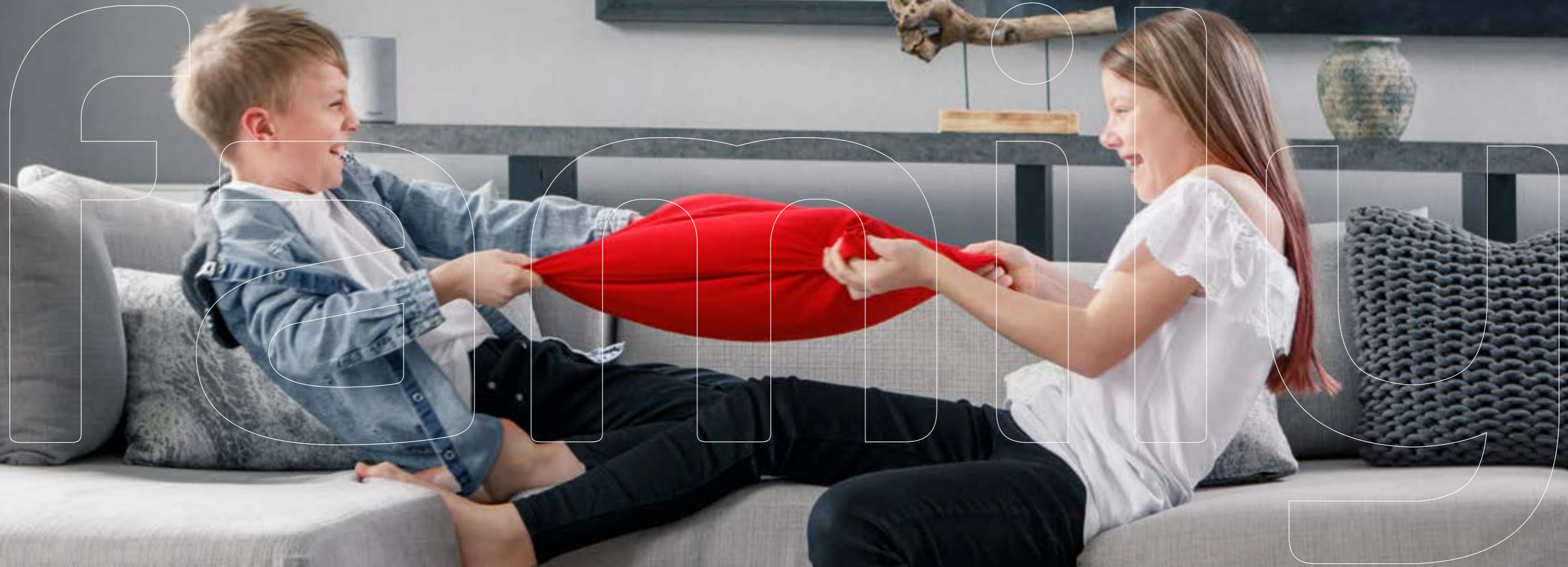


**WE BELIEVE IN BRITISH
MANUFACTURING,** IN 1906
THE FOUNDATIONS WERE
LAID FOR OUR FIRST
FACTORY IN HULL, WHERE
OUR BOILERS ARE STILL
MANUFACTURED TODAY.

1906



**WE BELIEVE IN OUR
IDEAL FAMILY,** WHEN YOU
BUY ANY IDEAL PRODUCT,
YOU ARE NOT JUST AN
IDEAL CUSTOMER, YOU
ARE PART OF OUR
IDEAL FAMILY.



WHICH TYPE OF BOILER IS IDEAL FOR YOUR HOME?



COMBI

Boiler only



Our combi range includes our award winning Logic Max Combi and the unrivalled premium Vogue Max Combi boiler. Both models come in a range of outputs meaning they can heat homes of various sizes.



A combi boiler is perfect for a small to medium sized property, providing mains pressure hot water on demand with no need for a hot water cylinder or feed/expansion tank. They are the full package in one compact unit supplying heat to your radiator system, and hot water. Combi boilers are extremely efficient as they only heat water when it is needed, reducing bills and your household's carbon footprint



SYSTEM

Boiler + Cylinder



The Vogue Max and Logic Max models are available in the Ideal system range. Both are perfect for homes with multiple bathrooms.



System boilers are suited to homes with multiple bathrooms and can provide a constant supply of hot water to numerous taps at once.



System boilers require a cylinder to store hot water, however, they don't require a feed/expansion tank, so they are ideal for larger properties with little or no loft space.

HEAT ONLY

Boiler + Cylinder + Water feed tanks



The Logic Max Heat comes with a 10 year parts and labour warranty and is compatible with a range of cylinders. Perfect for the replacement of most traditional boilers.



Heat only boilers are perfect for homes with multiple bathrooms, or where there is a large demand for hot water at once.



They are often thought of as a traditional boiler. They work alongside a separate hot water cylinder which is usually found in an airing cupboard, and a feed/expansion tank often found in the loft, so they are ideal for homes that already have a heat only boiler.

WHAT'S THE IDEAL SIZE?

All of our boilers come in a variety of capacities, starting at 12kW all the way to 40kW. Which size you should choose for your home will depend on how many radiators you have and how many bathrooms you have.

Assuming that your home's insulation is up to current building regulations and your home is fully double glazed, our chart will help you understand which size of boiler would suit you and your families needs.

OLD VS NEW

If you live in a brand new modern home, taking advantage of the latest energy saving technology with advanced insulation and well sealed doors and windows, your needs may be met by a smaller model.

In contrast, if you live in a characterful, older property that is prone to drafts with single glazed windows and limited insulation a larger model could be required to heat your home effectively.

APARTMENT

1-2 bedroom
1 bathroom
<5 radiators

SMALL HOUSE

1-2 bedroom
1 bathroom
<7 radiators

MEDIUM HOUSE

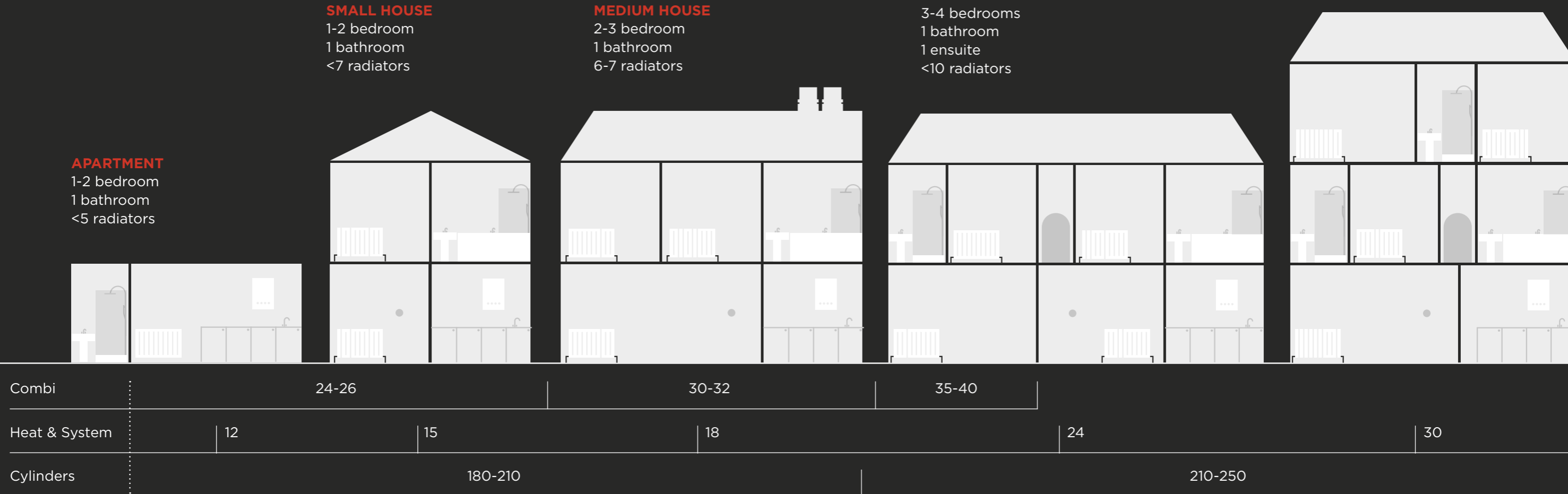
2-3 bedroom
1 bathroom
6-7 radiators

FAMILY HOUSE

3-4 bedrooms
1 bathroom
1 ensuite
<10 radiators

LARGE FAMILY HOUSE

4-5 bedrooms
2 bathrooms
1 ensuite
<15 radiators



WE BELIEVE IN ENERGY EFFICIENCY

WHAT IS ERP?

- ErP is a regulation put in place by the European Union to increase the visibility of the efficiency and performance of heating and hot water products, allowing you to be aware of the impact of your purchases.
- Efficiency isn't something you need to worry about when choosing Ideal Boilers, as all of our boilers achieve band A levels of efficiency, helping you to reduce your energy bills and carbon footprint.

WHAT IS BOILER PLUS?

- Boiler Plus is a new Government regulation that was implemented in April 2018, to improve energy efficiency in homes in England.
- Boiler Plus regulations only apply to replacement boilers being installed, so you don't need to worry about bringing your existing boiler up to standards.
- If you're having a replacement boiler fitted the good news is that Ideal Boilers has everything you need to comply, with all of our boilers achieving at least 93% ErP rating as standard, and a whole range of controls to suit your needs!

All of our boilers
achieve band A ErP
rating of at least

93%

efficiency





UP TO
12
 YEAR WARRANTY*

VOGUE MAX

Over a century of heating innovation has led to one thing: the Vogue Max.

A combination of sleek aesthetics and best in class components means the Vogue Max sits at the pinnacle of the Ideal range with an impressive 12 year warranty*.

Combi: 26, 32, 40
System: 15, 18, 26, 32



**PUT A VOGUE MAX
 IN YOUR HOME**

Scan the symbol with your phone to see a Vogue Max combi or system in your home now. You don't need an app, just open the camera and follow the instructions to see the boiler in 3D.

Scan over a flat surface and see a scale model in your home to check the style and approximate size.



The Vogue Max Combi is our unrivalled premium combi boiler, designed and built with best in class components, including a quality stainless steel heat exchanger for your peace of mind.

WE BELIEVE IN QUALITY & PERFORMANCE



BRITISH MADE SINCE 1906

First created at our factory in Yorkshire, the Vogue Max has been designed, developed and built in the UK. Each year we invest into our UK based research and development facility ensuring our boilers are at the cutting edge of heating technology.



AWARD WINNING BOILERS

Our boilers have been awarded Good Housekeeping Reader Recommended status for four consecutive years, for ease of use and low noise levels amongst other outstanding product details that left customers wanting to recommend Ideal Boilers to their friends and families.



WE BELIEVE IN PROTECTING YOUR HEATING SYSTEM

The Vogue Max comes with an Ideal System Filter in the box. Our system filter has been proven to ensure long lasting protection of the boiler and heating system with no compromise on performance.



Quality forged brass construction with nickel plating



Powerful neodymium magnetic assembly



Quick and easy to install



Stylish aesthetics



Premium components



Easy to use full colour display



Quick to install



Easy to service



COMBI OR SYSTEM?

Our Vogue Max range comes in both combi or system models in a range of outputs.

A Vogue Max combi is great for homes with a family bathroom and average hot water usage. With outputs up to 40kW it is perfect for large homes making sure every corner of your home is warm.

The Vogue Max system is ideal for homes with multiple bathrooms and large hot water demand. Available from 15kW up to 32kW there is Vogue Max system available homes of any size.

VOGUE MAX OUTPUTS

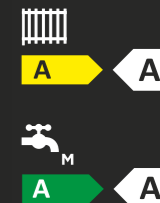
COMBI	SYSTEM
- 26kW	- 15kW
- 32kW	- 18kW
- 40kW	- 26kW
	- 32kW



Combi available up to 40kW

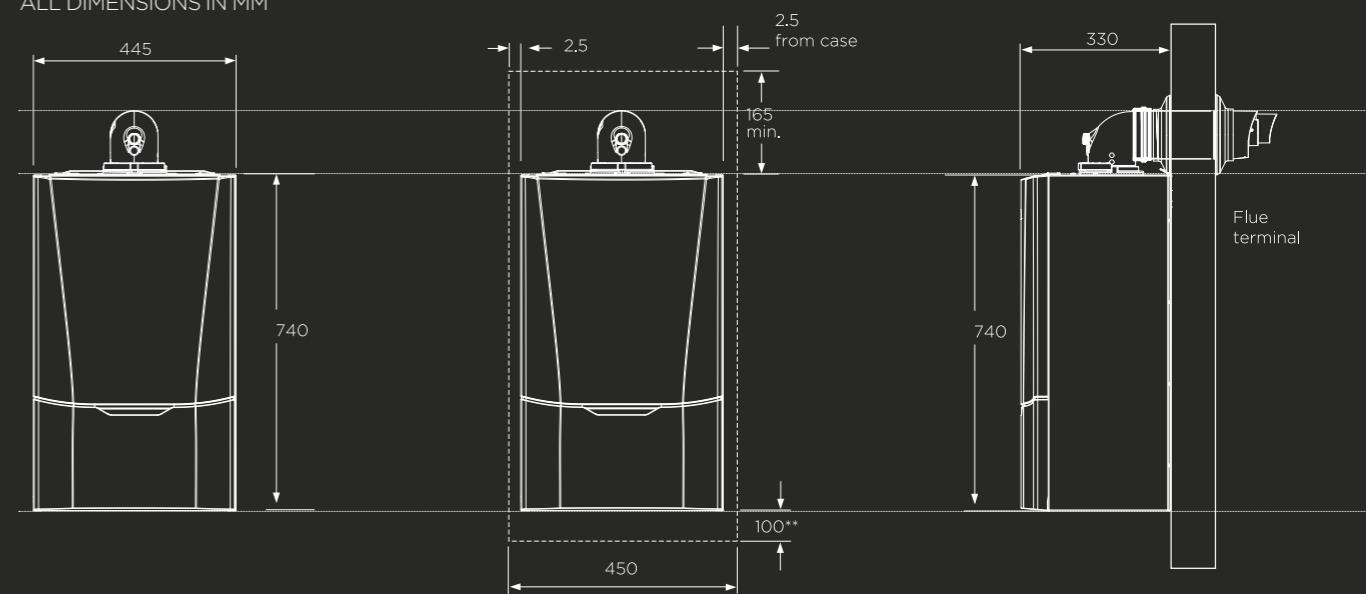


System available up to 32kW



DIMENSIONS & CLEARANCES

ALL DIMENSIONS IN MM



Note: The minimum front clearance when built into a cupboard is 5mm from the cupboard door but 450mm overall clearance with the cupboard door open is required for servicing. *Bottom clearance after installation can be reduced to 5mm. However, 100mm is required for servicing.

ideal

10
YEAR WARRANTY
AS STANDARD*



LOGIC MAX

With over three million Logic boilers sold in the UK, it has the reputation as one of the most reliable boilers available. We back this up with our 10 year warranty as standard for the Logic Max.

- Combi:** 24, 30, 35
- System:** 15, 18, 24, 30
- Heat:** 12, 15, 18, 24, 30



**PUT A LOGIC MAX
IN YOUR HOME**

Scan the symbol with your phone to see a Logic Max combi, system or heat only in your home now. You don't need an app, just open the camera and follow the instructions to see the boiler in 3D.

Scan over a flat surface and see a scale model in your home to check the style and approximate size.



Providing you with confidence and peace of mind the Logic Max has a full parts and labour warranty for 10 years. Which demonstrates just how confident we are in the quality and reliability of our boilers.

WE BELIEVE IN RELIABILITY AS STANDARD

LOGICMAX



A DECADE OF INNOVATION

For over a decade our Logic range has been heating homes all over the UK. In January 2020 we built our three millionth Logic boiler meaning we will be providing reliable warmth to millions of people for years to come.

First launched in 2009 the Logic range represents over 100 years of our advancement in heating technology. Our time served experience and products can give you peace of mind.



WE BELIEVE IN A QUIET HOME

The Logic Max Combi has been awarded the Quiet Mark, and is one of only a very small number of boiler ranges to have achieved this.

Our boilers have also been awarded Good Housekeeping Reader Recommended status four years in a row. For outstanding product features that left customers wanting to recommend Ideal Boilers to their friends and families.



WE BELIEVE IN PROTECTING YOUR HEATING SYSTEM

The Logic Max comes with an Ideal System Filter in the box. Our system filter has been proven to ensure long lasting protection of the boiler and heating system with no compromise on performance.



Quality forged brass construction with nickel plating



Powerful neodymium magnetic assembly



Quick and easy to install

LOGICMAX



Quick to install



Easy to service



Compact cupboard fit



Low component count maximising reliability



Easy to use fully back-lit LCD display



COMBI, SYSTEM OR HEAT?

Our Logic Max range comes in both combi, system and heat only models with a wide range of outputs.

A Logic Max combi is great for homes with a family bathroom and average hot water usage. With outputs up to 35kW it is perfect for making sure every corner of your home is warm.

The Logic Max system is ideal for homes with multiple bathrooms and large hot water demand. Available from 15kW up to 30kW there is Logic Max system available homes of any size.

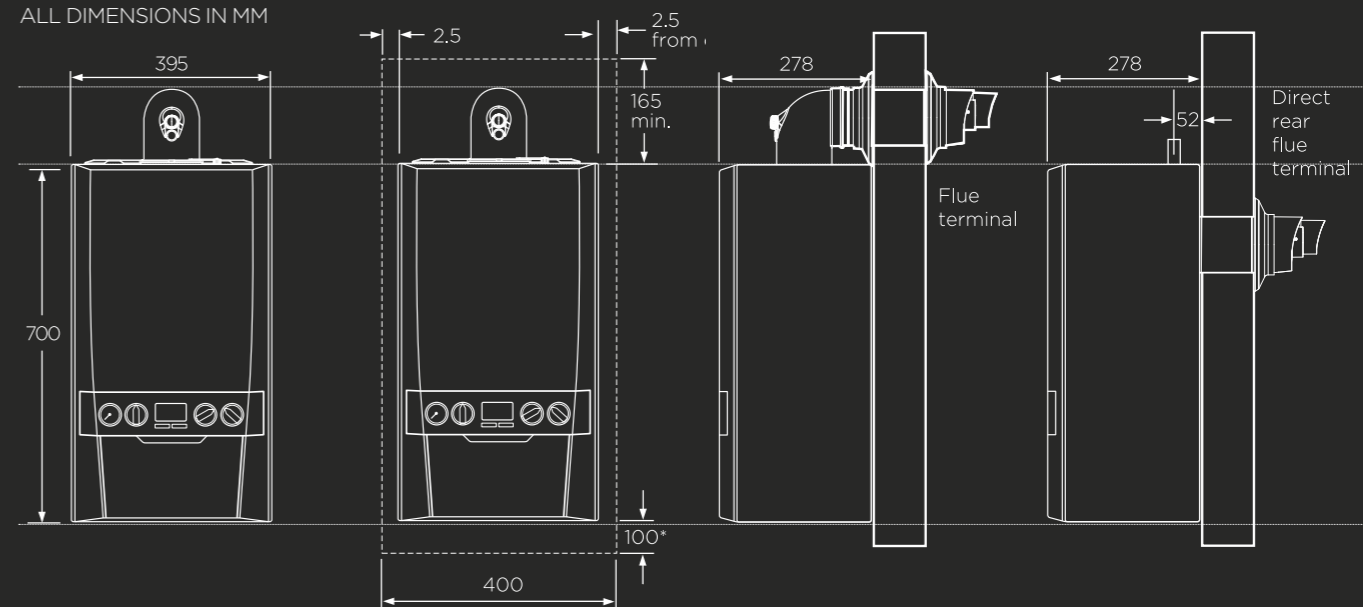
If your home has a water tank and hot water cylinder the Logic Max heat could be ideal.

LOGIC MAX OUTPUTS

COMBI	SYSTEM	HEAT
- 24kW	- 15kW	- 12kW
- 30kW	- 18kW	- 15kW
- 35kW	- 24kW	- 18W
	- 30kW	- 24kW
		- 30kW

DIMENSIONS & CLEARANCES

ALL DIMENSIONS IN MM



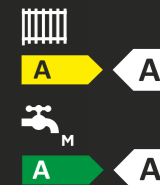
Note: The minimum front clearance when built into a cupboard is 5mm from the cupboard door but 450mm overall clearance with the cupboard door open is required for servicing. *Bottom clearance after installation can be reduced to 5mm. However, 100mm is required for servicing. Rear flue option Logic Max Heat only.



Combi available up to 35kW



System & Heat available up to 30kW



VOGUE

8
YEAR WARRANTY*



BEST IN CLASS

The Vogue provides stylish aesthetics and premium components combined with an 8 year warranty.

With an easy to use colour screen, high outputs of up to 40kW (combi) and a quality stainless steel heat exchanger it is truly a premium boiler.

A
EFFICIENCY RATING

A **A**

A **A**

VOGUE OUTPUTS

COMBI	SYSTEM
- 26kW	- 15kW
- 32kW	- 18kW
- 40kW	- 26kW
	- 32kW



LOGIC+

7
YEAR WARRANTY*



AWARD WINNING BOILER

The Logic+ has received Good Housekeeping Reader Recommendation for three years in a row along with Quiet Mark recognition on the Logic+ Combi and System.

A
EFFICIENCY RATING

A **A**

A **A**

LOGIC+ OUTPUTS

COMBI	SYSTEM	HEAT
- 24kW	- 15kW	- 12kW
- 30kW	- 18kW	- 15kW
- 35kW	- 24kW	- 18W
	- 30kW	- 24kW
		- 30kW



TECHNICAL SPECIFICATIONS



VOGUE MAX COMBI TECHNICAL SPECIFICATION

		VOGUE MAX COMBI		
		26	32	40
BOILER MODEL		218856	218857	218858
PRODUCT CODE				
SIZE	Height (mm)	740	740	740
	Width (mm)	445	445	445
	Depth (mm)	330	330	330
	Packaged weight (kg)	40.1	41.4	43.4
	Installation weight (kg)	32.4	33.8	35.4
PERFORMANCE	CH output (kW) Min/Max mean 70°C	3.7-18.0	4.6-26.0	5.7-32.0
	CH output (kW) Min/Max mean 40°C	4.0-19.3	4.9-27.9	6.1-34.3
	DHW output (kW) Max	26	32	40
	DHW flow rate l/min. 35°C rise	10.6	13.1	16.4
	SEDBUK (2005) %	91.0	91.1	91.0
	SEDBUK (2009/2012) %	89.1	89.2	89.1
	NOx Classification	6	6	6
	Optional LPG kit	Yes	Yes	Yes
CONSTRUCTION	Heat exchanger material	Stainless steel	Stainless steel	Stainless steel
	Burner type	Pre-mix with cool burner door		
	Fully modulating output	7:1	7:1	7:1
	DHW plate heat exchanger	Yes	Yes	Yes
	Integrated hydrobloc	Yes	Yes	Yes
INSTALLATION	Suitable for sealed systems	Yes	Yes	Yes
	Suitable for open-vent systems	No	No	No
	Filling loop	Yes	Yes	Yes
	Pre-wired mains lead	Yes	Yes	Yes
	In-built system bypass	Yes	Yes	Yes
	In-built condensate trap/siphon	Yes	Yes	Yes
	In-built boiler frost protection	Yes	Yes	Yes
	Safety valve drain outlet pipe	Yes	Yes	Yes
	Zero compartment ventilation	Yes	Yes	Yes
CLEARANCES	Top (min. mm) (from top of boiler)	165	165	165
	Side (mm)	2.5	2.5	2.5
	Bottom (mm)	100*	100*	100*
	Front (mm)	450*	450*	450*
USER INTERFACE	User display	Large full colour backlit LCD with text & symbols		
	User interface	Text display & multi-function buttons		
	Diagnostics	Plain English text		
	User adjustable	Manual heating & hot water controls		
	DHW preheat	Yes	Yes	Yes
	Pressure gauge	Analogue in control panel		
	In-built programmer	Optional (Mechanical & electronic)		
PIPES	Stand-off kit	Yes	Yes	Yes
	Stand-off kit inc. pipes.	Yes	Yes	Yes
FLUES	Max horizontal	10	8	8
	Max vertical	10	10	10
CONNECTIONS**	Gas supply connection	22mm copper compression		
	CH flow connection	22mm copper compression		
	CH return connection	22mm copper compression		
	Inlet connection - DHW	15mm copper compression		
	Outlet connection - DHW	15mm copper compression		
	Condensate drain	21.5mm universal		
ErP EFFICIENCIES	Condensing boiler	Yes	Yes	Yes
	Seasonal space heating efficiency class	A	A	A
	Rated heat output kW	18	26	32
	Seasonal space heating energy efficiency η_s %	93	93	93
	Sound power level, indoors LWA dB	47	50	49
	Water heating energy efficiency class	A	A	A

VOGUE MAX SYSTEM TECHNICAL SPECIFICATION

		VOGUE MAX SYSTEM			
BOILER MODEL		15	18	26	32
PRODUCT CODE		218859	218860	218861	218862
SIZE	Height (mm)	740	740	740	740
	Width (mm)	445	445	445	445
	Depth (mm)	330	330	330	330
	Packaged weight (kg)	38	38.8	40.2	42.2
	Installation weight (kg)	30.7	31.5	32.9	34.3
PERFORMANCE	CH output (kW) Min/Max mean 70°C	3.0-15.0	3.6-18.0	5.2-26.0	6.4-32.0
	CH output (kW) Min/Max mean 40°C	3.2-16.2	3.9-19.3	5.6-27.9	6.8-34.3
	DHW output (kW) Max	N/A	N/A	N/A	N/A
	DHW flow rate l/min. 35°C rise	N/A	N/A	N/A	N/A
	SEDBUK (2005) %	91.0	91.1	91.1	91.1
	SEDBUK (2009/2012) %	88.9	89.3	89.3	89.3
	NOx Classification	6	6	6	6
	Optional LPG kit	Yes	Yes	Yes	Yes
CONSTRUCTION	Heat exchanger material	Stainless steel	Stainless steel	Stainless steel	Stainless steel
	Burner type	Pre-mix with cool burner door			
	Fully modulating output	5:1	5:1	5:1	5:1
	DHW plate heat exchanger	N/A	N/A	N/A	N/A
	Integrated hydrobloc	N/A	N/A	N/A	N/A
INSTALLATION	Suitable for sealed systems	Yes	Yes	Yes	Yes
	Suitable for open-vent systems	No	No	No	No
	Filling loop	No	No	No	No
	Pre-wired mains lead	Yes	Yes	Yes	Yes
	In-built system bypass	Yes	Yes	Yes	Yes
	In-built condensate trap/siphon	Yes	Yes	Yes	Yes
	In-built boiler frost protection	Yes	Yes	Yes	Yes
	Safety valve drain outlet pipe	Yes	Yes	Yes	Yes
	Zero compartment ventilation	Yes	Yes	Yes	Yes
CLEARANCES	Top (min. mm) (from top of boiler)	165	165	165	165
	Side (mm)	2.5	2.5	2.5	2.5
	Bottom (mm)	100*	100*	100*	100*
	Front (mm)	450*	450*	450*	450*
USER INTERFACE	User display	Large full colour backlit LCD with text & symbols			
	User interface	Text display & multi-function buttons			
	Diagnostics	Plain English text			
	User adjustable	Manual heating control			
	DHW preheat	N/A	N/A	N/A	N/A
	Pressure gauge	Analogue in control panel			
	In-built programmer	No	No	No	No
PIPES	Stand-off kit	Yes	Yes	Yes	Yes
	Stand-off kit inc. pipes.	Yes	Yes	Yes	Yes
FLUES	Max horizontal	10	10	10	8
	Max vertical	10	10	10	10
CONNECTIONS**	Gas supply connection	22mm copper compression			
	CH flow connection	22mm copper compression			
	CH return connection	22mm copper compression			
	Inlet connection - DHW	N/A			
	Outlet connection - DHW	N/A			
Condensate drain	21.5mm universal				
ErP EFFICIENCIES	Condensing boiler	Yes	Yes	Yes	Yes
	Seasonal space heating efficiency class	A	A	A	A
	Rated heat output kW	15	18	26	32
	Seasonal space heating energy efficiency η_s %	92	93	93	93
	Sound power level, indoors LWA dB	50	52	52	50
	Water heating energy efficiency class	N/A	N/A	N/A	N/A

LOGIC MAX COMBI TECHNICAL SPECIFICATION

		LOGIC MAX COMBI		
BOILER MODEL		24	30	35
PRODUCT CODE		218872	218873	218874
SIZE	Height (mm)	700	700	700
	Width (mm)	395	395	395
	Depth (mm)	278	278	278
	Weight (packed) kg	36.5	36.6	36.7
	Maximum installation weight kg	29.2	29.3	29.4
PERFORMANCE	CH output (kW) Min/Max mean 70°C	4.8 - 24.2	6.1 - 24.2	7.1 - 24.2
	CH output (kW) Min/Max mean 40°C	5.1 - 25.6	6.4 - 25.6	7.5 - 25.6
	DHW output (kW) Max	24.2	30.3	35.3
	DHW flow rate l/min. 35°C rise	9.9	12.4	14.5
	SEDBUK (2005) %	91.1	91.1	91.1
	SEDBUK (2009/2012) %	89.6	89.6	89.6
	NOx Classification	6	6	6
	Optional LPG kit	No	Yes	No
CONSTRUCTION	Heat exchanger material	Cast Aluminium - Silicon Alloy		
	Burner type	Downward firing pre-mix		
	Fully modulating	Yes	Yes	Yes
	DHW plate heat exchanger	Yes	Yes	Yes
	Integrated hydrobloc	Yes	Yes	Yes
INSTALLATION	Suitable for sealed systems	Yes	Yes	Yes
	Suitable for open-vent systems	No	No	No
	Filling loop	Yes	Yes	Yes
	Pre-wired mains lead	Yes	Yes	Yes
	Flow regulator	Yes	Yes	Yes
	In-built system bypass	Yes	Yes	Yes
	In-built condensate trap/siphon	Yes	Yes	Yes
	In-built boiler frost protection	Yes	Yes	Yes
	Zero compartment ventilation	Yes	Yes	Yes
CLEARANCES	Top (min. mm) from top of boiler	165	165	165
	Side (mm)	2.5	2.5	2.5
	Bottom (mm)	100*	100*	100*
	Front (mm)	450*	450*	450*
USER INTERFACE	User display	Symbols		
	User interface	3 dials, 2 buttons		
	Diagnostics	Fault diagnosis display		
	User adjustable	Manual heating & hot water controls		
	'Eco' setting on CH	Yes	Yes	Yes
	In-built programmer	Optional	Optional	Optional
PIPES	Pre-piping kit	Optional	Optional	Optional
	Stand-off kit	Optional	Optional	Optional
	Stand-off kit inc. pipes	Optional	Optional	Optional
FLUES	Max horizontal	9m	8m	6m
	Max vertical	7.5m	7.5m	7.5m
	Powered vertical**	22m	22m	22m
	Direct rear flue kit (55/80)	No	No	No
CONNECTIONS**	Gas supply connection	15mm copper compression		
	CH flow connection	22mm copper compression		
	CH return connection	22mm copper compression		
	Inlet connection - DHW	15mm copper compression		
	Outlet connection - DHW	15mm copper compression		
	Condensate drain	21.5mm universal		
ErP EFFICIENCIES	Condensing boiler	Yes	Yes	Yes
	Seasonal space heating efficiency class	A	A	A
	Rated heat output kW	24	24	24
	Seasonal space heating energy efficiency η_s %	94	94	94
	Sound power level, indoors LWA dB	48	46	44
	Water heating energy efficiency class	A	A	A

LOGIC MAX SYSTEM TECHNICAL SPECIFICATION

		LOGIC MAX SYSTEM			
BOILER MODEL		15	18	24	30
PRODUCT CODE		218868	218869	218870	218871
SIZE	Height (mm)	700	700	700	700
	Width (mm)	395	395	395	395
	Depth (mm)	278	278	278	278
	Weight (packed) kg	34.0	34.0	34.0	34.0
	Maximum installation weight kg	26.1	26.1	26.1	26.1
PERFORMANCE	CH output (kW) Min/Max mean 70°C	4.8 - 15.0	4.8 - 18.0	4.8 - 24.2	6.1 - 30.3
	CH output (kW) Min/Max mean 40°C	5.1 - 15.9	5.1 - 19.1	5.1 - 25.6	6.4 - 31.0
	DHW output (kW) Max	N/A	N/A	N/A	N/A
	DHW flow rate l/min. 35°C rise	N/A	N/A	N/A	N/A
	SEDBUK (2005) %	91.2	91.1	91.2	91.1
	SEDBUK (2009/2012) %	89.4	89.7	89.7	89.6
	NOx Classification	6	6	6	6
	Optional LPG kit	No	No	No	Yes
CONSTRUCTION	Heat exchanger material	Cast Aluminium - Silicon Alloy			
	Burner type	Downward firing pre-mix			
	Fully modulating	Yes	Yes	Yes	Yes
	DHW plate heat exchanger	N/A	N/A	N/A	N/A
	Integrated hydrobloc	N/A	N/A	N/A	N/A
INSTALLATION	Suitable for sealed systems	Yes	Yes	Yes	Yes
	Suitable for open-vent systems	No	No	No	No
	Filling loop	No	No	No	No
	Pre-wired mains lead	Yes	Yes	Yes	Yes
	Flow regulator	N/A	N/A	N/A	N/A
	In-built system bypass	Yes	Yes	Yes	Yes
	In-built condensate trap/siphon	Yes	Yes	Yes	Yes
	In-built boiler frost protection	Yes	Yes	Yes	Yes
	Zero compartment ventilation	Yes	Yes	Yes	Yes
CLEARANCES	Top (min. mm) from top of boiler	165	165	165	165
	Side (mm)	2.5	2.5	2.5	2.5
	Bottom (mm)	100*	100*	100*	100*
	Front (mm)	450*	450*	450*	450*
USER INTERFACE	User display	Symbols			
	User interface	2 dials, 2 buttons			
	Diagnostics	Fault diagnosis display			
	User adjustable	Manual heating control			
	'Eco' setting on CH	Yes	Yes	Yes	Yes
	In-built programmer	No	No	No	No
PIPES	Pre-piping kit	Optional	Optional	Optional	Optional
	Stand-off kit	Optional	Optional	Optional	Optional
	Stand-off kit inc. pipes	Optional	Optional	Optional	Optional
FLUES	Max horizontal	9m	9m	9m	8m
	Max vertical	7.5m	7.5m	7.5m	7.5m
	Powered vertical**	22m	22m	22m	22m
	Direct rear flue kit (55/80)	No	No	No	No
CONNECTIONS ^{††}	Gas supply connection	15mm copper compression			
	CH flow connection	22mm copper compression			
	CH return connection	22mm copper compression			
	Inlet connection - DHW	N/A			
	Outlet connection - DHW	N/A			
	Condensate drain	21.5mm universal			
ErP EFFICIENCIES	Condensing boiler	Yes	Yes	Yes	Yes
	Seasonal space heating efficiency class	A	A	A	A
	Rated heat output kW	15	18	24	30
	Seasonal space heating energy efficiency η_s %	93	93	94	93
	Sound power level, indoors LWA dB	44	46	48	48
	Water heating energy efficiency class	N/A	N/A	N/A	N/A

LOGIC MAX HEAT TECHNICAL SPECIFICATION

		LOGIC MAX HEAT				
BOILER MODEL		12	15	18	24	30
PRODUCT CODE		218863	218864	218865	218866	218867
SIZE	Height (mm)	700	700	700	700	700
	Width (mm)	395	395	395	395	395
	Depth (mm)	278	278	278	278	278
	Weight (packed) kg	28.7	28.7	28.7	28.7	28.7
	Maximum installation weight kg	22.7	22.7	22.7	22.7	22.7
PERFORMANCE	CH output (kW) Min/Max mean 70°C	4.8 - 12.0	4.8 - 15.0	4.8 - 18.0	4.8 - 24.2	6.1 - 30.3
	CH output (kW) Min/Max mean 40°C	5.1 - 13.0	5.1 - 15.9	5.1 - 19.1	5.1 - 25.6	6.4 - 31.0
	DHW output (kW) Max	N/A	N/A	N/A	N/A	N/A
	DHW flow rate l/min. 35°C rise	N/A	N/A	N/A	N/A	N/A
	SEDBUK (2005) %	91.1	91.1	91.1	91.2	91.1
	SEDBUK (2009/2012) %	89.4	89.4	89.7	89.7	89.6
	NOx Classification	6	6	6	6	6
	Optional LPG kit	No	No	No	No	Yes
CONSTRUCTION	Heat exchanger material	Cast Aluminium - Silicon Alloy				
	Burner type	Downward firing pre-mix				
	Fully modulating	Yes	Yes	Yes	Yes	Yes
	DHW plate heat exchanger	N/A	N/A	N/A	N/A	N/A
	Integrated hydrobloc	N/A	N/A	N/A	N/A	N/A
INSTALLATION	Suitable for sealed systems	Yes	Yes	Yes	Yes	Yes
	Suitable for open-vent systems	Yes	Yes	Yes	Yes	Yes
	Filling loop	No	No	No	No	No
	Pre-wired mains lead	No	No	No	No	No
	Flow regulator	N/A	N/A	N/A	N/A	N/A
	In-built system bypass	No	No	No	No	No
	In-built condensate trap/siphon	Yes	Yes	Yes	Yes	Yes
	In-built boiler frost protection	Yes	Yes	Yes	Yes	Yes
	Zero compartment ventilation	Yes	Yes	Yes	Yes	Yes
CLEARANCES	Top (min. mm) from top of boiler	165 (100 with rear outlet flue)				
	Side (mm)	2.5	2.5	2.5	2.5	2.5
	Bottom (mm)	100*	100*	100*	100*	100*
	Front (mm)	450*	450*	450*	450*	450*
	USER INTERFACE	User display	Symbols			
User interface		2 dials, 2 buttons				
Diagnostics		Fault diagnosis display				
User adjustable		Manual heating control				
'Eco' setting on CH		Yes	Yes	Yes	Yes	Yes
In-built programmer		No	No	No	No	No
PIPES	Pre-piping kit	No	No	No	No	No
	Stand-off kit	Optional	Optional	Optional	Optional	Optional
	Stand-off kit inc. pipes	No	No	No	No	No
FLUES	Max horizontal	9m	9m	9m	9m	8m
	Max vertical	7.5m [†]	7.5m [†]	7.5m [†]	7.5m [†]	7.5m [†]
	Powered vertical**	22m	22m	22m	22m	22m
	Direct rear flue kit (55/80)	Yes	Yes	Yes	Yes	Yes
	CONNECTIONS ^{††}	Gas supply connection	15mm copper compression			
CH flow connection		22mm copper compression				
CH return connection		22mm copper compression				
Inlet connection - DHW		N/A				
Outlet connection - DHW		N/A				
Condensate drain		21.5mm universal				
ErP EFFICIENCIES	Condensing boiler	Yes	Yes	Yes	Yes	Yes
	Seasonal space heating efficiency class	A	A	A	A	A
	Rated heat output kW	12	15	18	24	30
	Seasonal space heating energy efficiency η_s %	93	93	93	94	93
	Sound power level, indoors LWA dB	36	38	41	47	49
	Water heating energy efficiency class	N/A	N/A	N/A	N/A	N/A

Delivering industry leading customer support is our promise to you, which is why our UK based contact centre is open 364 days a year.

WE BELIEVE IN QUALITY SERVICE EVERY DAY



At Ideal Boilers we understand the importance of quality customer care and post sales support, which is why we are investing £4 million in our services to support you.

If your query cannot be resolved over the phone, we have a team of service engineers all over the UK to ensure we provide a rapid response typically the same or next day.



To ensure we are always achieving highest standards of customer service, all our customers are offered the opportunity to provide feedback on their interactions with us.

CUSTOMER SERVICE:

01482 498660



UK based call centre



7 days a week



364 days a year



Technically trained team



OPENING TIMES

MONDAY TO FRIDAY
08:00 - 18:00

SATURDAYS AND BANK HOLIDAYS
(EXCLUDING CHRISTMAS DAY)
08:00 - 16:00

SUNDAYS
08:00 - 12:00



Customer Service:

01482 498660

Technical Help:

01482 498663

Ideal Boilers, PO Box 103, National Avenue,
Kingston upon Hull, East Yorkshire, HU5 4JN

E: enquiries@idealboilers.com



IB0013T

www.idealboilers.com |

welcome to our ideology

The information in this brochure was correct at the time of going to print. Ideal Boilers reserve the right to make any modifications to product specifications or any other details, without prior notification. For further clarification, please enquire in writing to the head office address above.